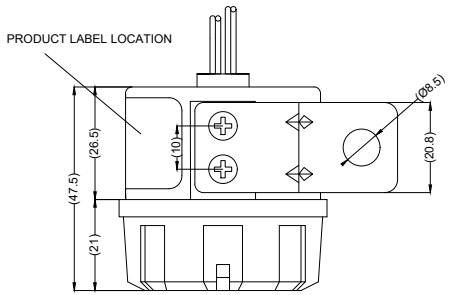
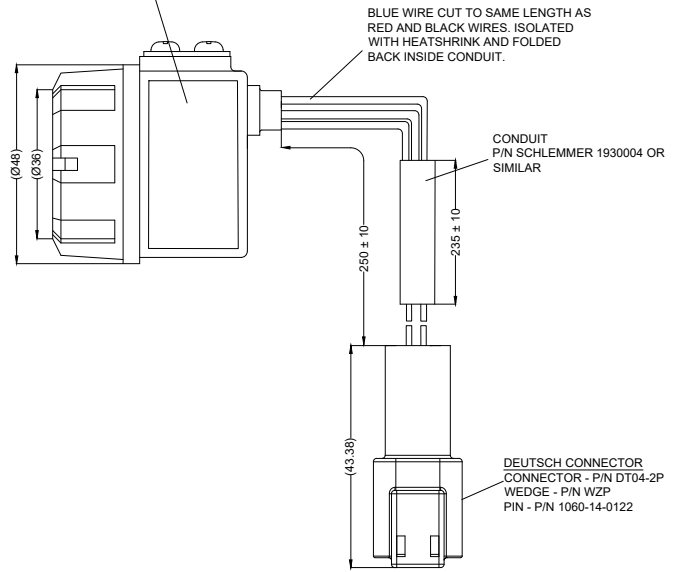


Revision Notes				
R1 -				
APA: -	Drawn:-	Checked:-	Approved:-	Date: -



ADDITIONAL PRODUCT LABEL LOCATION

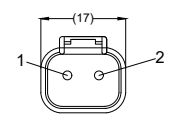


CHANGES FROM BASE PRODUCT BA-57 (0027) TO BA-57(DC) (5428)

CHANGE: 1. DEUTSCH CONNECTOR ADDED.
 2. CONDUIT ADDED AND FREE TO MOVE ON THE CABLE.
 3. ADDITIONAL PRODUCT LABEL ADDED
 4. BASE PRODUCT GIFT BOX LABEL COVERED WITH NEW GIFTBOX LABEL

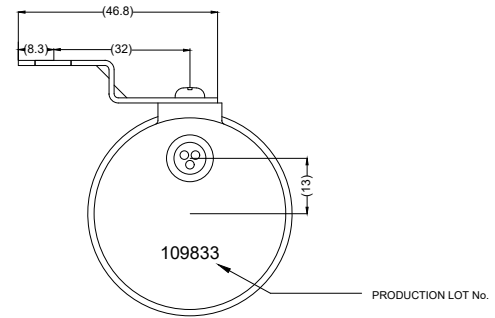
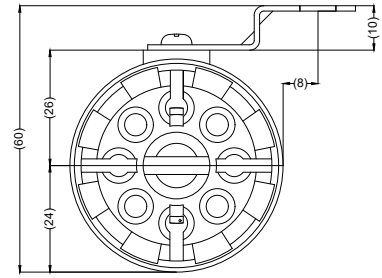
OPERATION: SAME AS BASE PRODUCT

VIEW A



MATING FACE

PIN #	WIRE COLOUR	DESCRIPTION
1	RED	+12/24V
2	BLACK	GROUND



- SPECIFICATION:**
1. RATED VOLTAGE 12~24V DC
 2. WORKING VOLTAGE RANGE: 9V THROUGH 30V DC
 3. RATED CURRENT: 30±10mA AT RATED VOLTAGE
 4. SOUNDS PRESSURE: 90±6dB AT A DISTANCE OF 1m AND RATED VOLTAGE
 5. FREQUENCY: 2400±300Hz AS POWERED AT RATED VOLTAGE
 6. STARTING VOLTAGE: START TO SOUND AT 9V DC
 7. VIBRATION RESISTANCE: TO BE FREE FROM ABNORMALITY AFTER TESTED AS SPECIFIED IN 6.8G
 8. WATER RESISTANCE: TO BE FREE OF ABNORMALITY AFTER TESTED AS SPECIFIED IN S1 JIS D 0203
 9. DURABILITY: CONTINUOUSLY OPERABLE FOR 200 HOURS AT RATED VOLTAGE
 10. INTERMITTENCY: 80±10 CYCLES/MIN. AT RATED VOLTAGE.

Notes: Refer to base product for product specification.
 For labels and packaging refer to latest revision of Master BoM

PROPRIETARY NOTICE
 THIS DESIGN AND TECHNICAL INFORMATION APPEARING ON THIS DRAWING IS THE PROPERTY OF BRIGADE ELECTRONICS, AND IS DISCLOSED IN CONFIDENCE. IT IS NOT TO BE COPIED, REPRODUCED, REVEALED TO OR EXPROPRIATED BY OTHERS, EITHER IN WHOLE OR IN PART WITHOUT THE EXPRESS WRITTEN CONSENT OF BRIGADE ELECTRONICS.



Assembly Pl Approval P.VENNING	Approved by B.CHILDS	Checked by J.TYRRELL	Drawn by I.DEASY
Angle of Projection	Units mm	Scale N/A	Released 25/05/18
Third Angle	Status RELEASED	Assembly Ref BA-57(DC)	
	Part No 5428	BE-003772-00-18	